

cashmatic selfpay

460



CASHMATIC

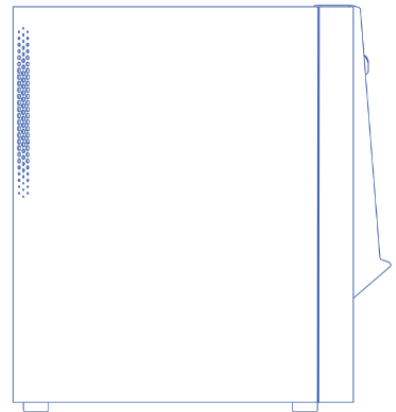
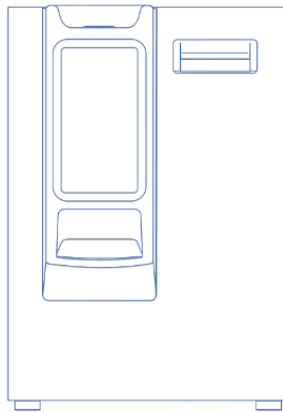
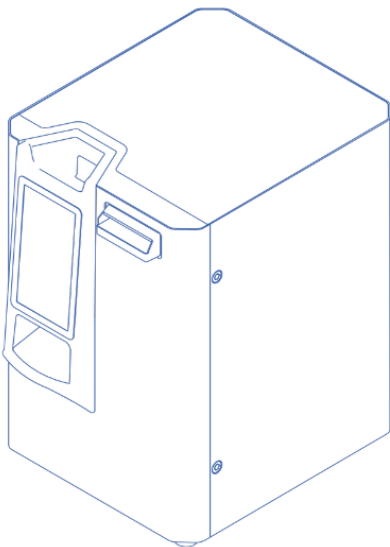
Cashmatic Selfpay 460 is the most compact automatic cash machine on the market, guaranteeing easy installation on any counter without sacrificing efficiency, autonomy, or control in cash flow management.

Cashmatic Selfpay 460 enables cash payment management and automatic change dispensing on any counter, thanks to its compact dimensions.

Designed even for small retailers, it guarantees high operational autonomy, standard cash acceptance and dispensing speeds, and absolute control over operations, at the most competitive price.

Functional Features

- Meets security, precision, and functionality requirements at the most competitive price on the market.
- Can be easily installed on any counter, thanks to its highly compact dimensions.
- Eliminates operator errors and cash shortages.
- Automatically detects counterfeit currency.
- Increases security levels thanks to the solid and robust steel structure.
- Reduces the risk of robbery thanks to the non-openable drawer.
- Enhances hygiene at the point of sale by eliminating contact with cash.
- Optimizes checkout management times by eliminating cash counting during opening, closing, and shift changes.
- Can be controlled remotely via smartphone, tablet, or PC.
- Communicates with the user clearly and intuitively through the large integrated display.



- Height 48,4 cm
- Width 33,4 cm
- Depth 42,1 cm

Security Features

- 2mm thick steel frame.
- Signage indicating the presence of the Cashmatic automatic device.
- Bracket for anchoring to the counter.
- Drawer cannot be opened by the operator.
- ECB (European Central Bank) certified devices for counterfeit detection.

Features	Advantages
la più compatta sul mercato	Easy to install and integrate on any counter, without having to change the workstation or cash management software.
The most compact on the market	It offers the most competitive price on the market and is economically sustainable even for small retailers.
Automatic cash acceptance and dispensing	Performs up to 4 operations per minute
Automatic cash management and counting	Eliminates change errors and cash shortages
ECB (European Central Bank) certified devices for counterfeit detection	Guarantees a higher level of security and reduces the risk of robbery
Robust steel structure with a drawer that cannot be opened by the operator	
Accounting balance and closing with a single click	Optimizes checkout management by eliminating counting operations during opening, closing, and operator changes.
Interaction with the most popular management software	
Communication via large integrated display	Guarantees clear and intuitive human-machine interaction
Remote management (via smartphone, tablet, or PC)	Guarantees control over operations
Real-time email notification of cash removal and withdrawal operations	
Compliance with European HACCP regulations, eliminating contact with cash	Increases the hygiene of the service offered at the point of sale



Technical specifications

MONETE

ACCEPTED	DISPENSED
€ 0,02	€ 0,02
€ 0,05	€ 0,05
€ 0,10	€ 0,10
€ 0,20	€ 0,20
€ 0,50	€ 0,50
€ 1,00	€ 1,00
€ 2,00	€ 2,00

SPEED

SPEEDCOINS ACCEPTED up to 3 per sec	COINS DISPENSED up to 12 per sec
---	--

CAPACITY

1500 pieces (considering the volume of the €1 coin)

BANCONOTE

ACCEPTED	DISPENSED
€ 5,00	€ 5,00
€ 10,00	€ 10,00
€ 20,00	€ 20,00
€ 50,00	€ 50,00
€ 100,00	€ 100,00
€ 200,00	€ 200,00
€ 500,00	€ 500,00

SPEED

BANKNOTES ACCEPTED Starting from 2.1 sec	BANKNOTES DISPENSED Starting from 3.24 sec
---	---

CAPACITY

— 70 recycling pieces (self-refilling cash float)
— 500 cashbox pieces (deposit)

CONNECTIONS

DB9 [RS232] RJ45 [ETH]

DISPLAY

7" color capacitive
touchscreen

HARDWARE REQUIREMENTS

Uninterruptible Power Supply
(UPS)

POWER SUPPLY

100-240VAC3.08A
50/60Hz

OPERATING TEMPERATURE

10°C - 35°C

Selection guide

Speed
standard


Customer traffic
standard


Customer traffic
standard


Machine interface

Cashmatic Selfpay 460

is a compact, reliable, and easy-to-use payment system.

CUSTOMER BENEFITS

The interface guides the customer through the payment process via a large 7-inch display, resulting in clear and simple human-machine interaction that speeds up the entire process.

BENEFITS FOR THE RETAILER

The retailer can access a second level of the interface that allows them to manage operations on the machine itself and keep all operations under control at all times.

Remote management

Cashmatic Selfpay 460

is equipped with a management panel that is also accessible remotely via its web version, allowing control of operations via PC, smartphone, or tablet, wherever you are and at any time.

It is possible not only to constantly monitor the machine's activities but also to manage and execute on-board operations, such as refilling, withdrawal, or exchanging the cash present, with a single click.

Compatibility

Cashmatic Selfpay 460

Cashmatic Selfpay 460 is capable of interfacing and integrating with all hardware and software systems of your business. It guarantees rapid installation and optimal management of payment processes.

- Compatibility with major management software.
- Exclusive Cashmatic universal driver.
- Internet Browsers: Google Chrome, Mozilla Firefox, Safari, Internet Explorer, Opera.
- Operating Systems: Windows, Linux, Android, iOS, MacOS.

